

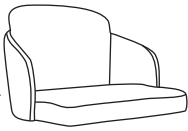
Dahlia Counter Stool

Part # L23-DAHLIA-R XX+XX

21-0303

PARTS

*SEAT TOP
MAY VARY*



A



B
x4



C



D



E



F
x4
(M6x30mm)



G
x10
(M6x20mm)



H
x2
(M6x16mm)



I
x2



J
x4

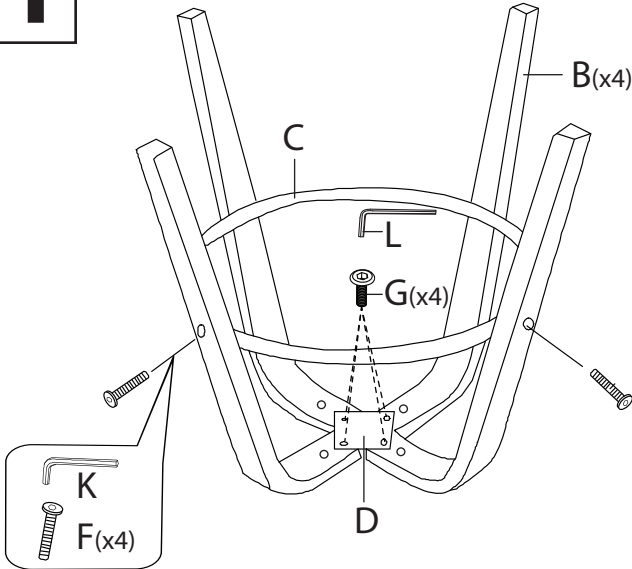


K

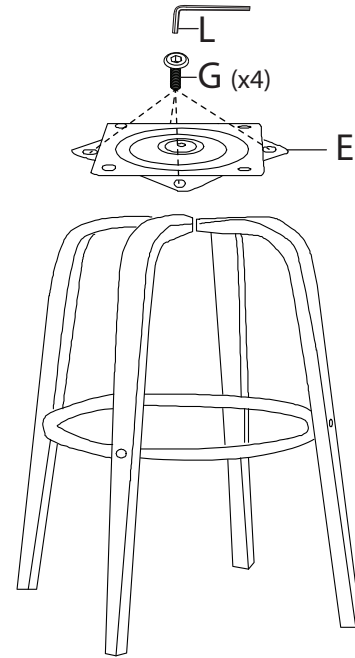


L

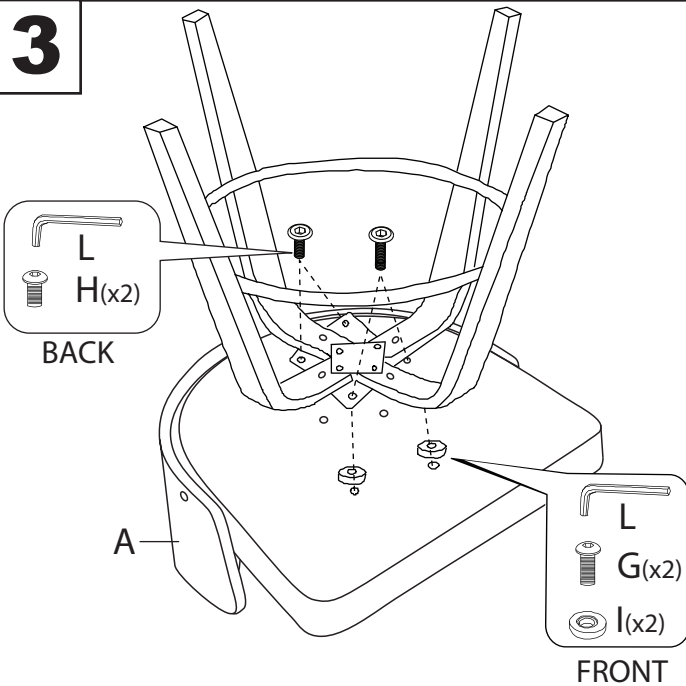
1



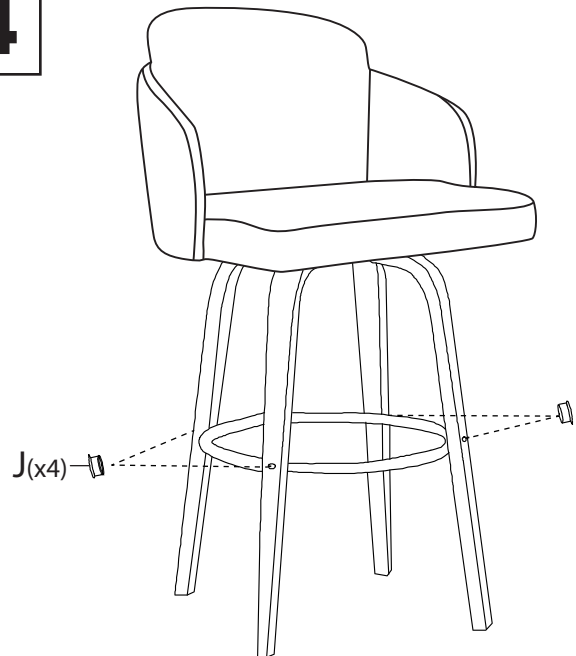
2



3



4



Do not over tighten.
Do not use power tools to assemble.